

InteliLite® MRS 10 / MRS 15

MANUAL AND REMOTE CONTROLLER



Description

InteliLite® MRS 10 and InteliLite® MRS 15 are new integrated controllers for engine control in manual and remote start applications, featuring full gen-set monitoring and protection. InteliLite® controllers are equipped with a powerful graphic display. Icons, symbols and bar graphs for intuitive operation together with high functionality set new standards in gen-set control. Special low temperature (IL-MRS 10-LT or IL-MRS 15-LT) version is also available, allowing the display to work up to -30°C.

Benefits

- ▶ Less wiring and components
- ▶ Integrated solution
- ▶ Less engineering and programming
- ▶ Perfect price/performance ratio

Features

- ▶ Support of engines equipped with Electronic Control Unit – J1939 interface (IL-MRS 15 only)
- ▶ Automatic or manual start/stop of the gen-set
- ▶ Push buttons for simple control, lamp test
- ▶ Graphic back-lit LCD display 128×64 pixels
- ▶ 2 LED indicators
- ▶ Parameters adjustable via keyboard or PC
- ▶ Generator measurements (50/60 Hz): U1-U3, I1-I3, Hz, kW, kVA, kVAh, kWh
- ▶ Selectable protections alarm/ shutdown
- ▶ 3 phase Generator protections
 - Over-/under voltage
 - Over-/under frequency
 - Current/voltage asymmetry
 - Overcurrent/overload
- ▶ Analog oil pressure, water temperature, fuel level, battery voltage, engine speed (pick-up)
- ▶ Configurable programmable inputs and outputs
- ▶ Warm-up and cooling functions
- ▶ RS232 interface (AT-LINK CONV cable is necessary for IL-MRS 10)
- ▶ Modem communication support (IL-MRS 15 only)
- ▶ Dimensions 180×120 mm (front panel)
- ▶ Sealed to IP65

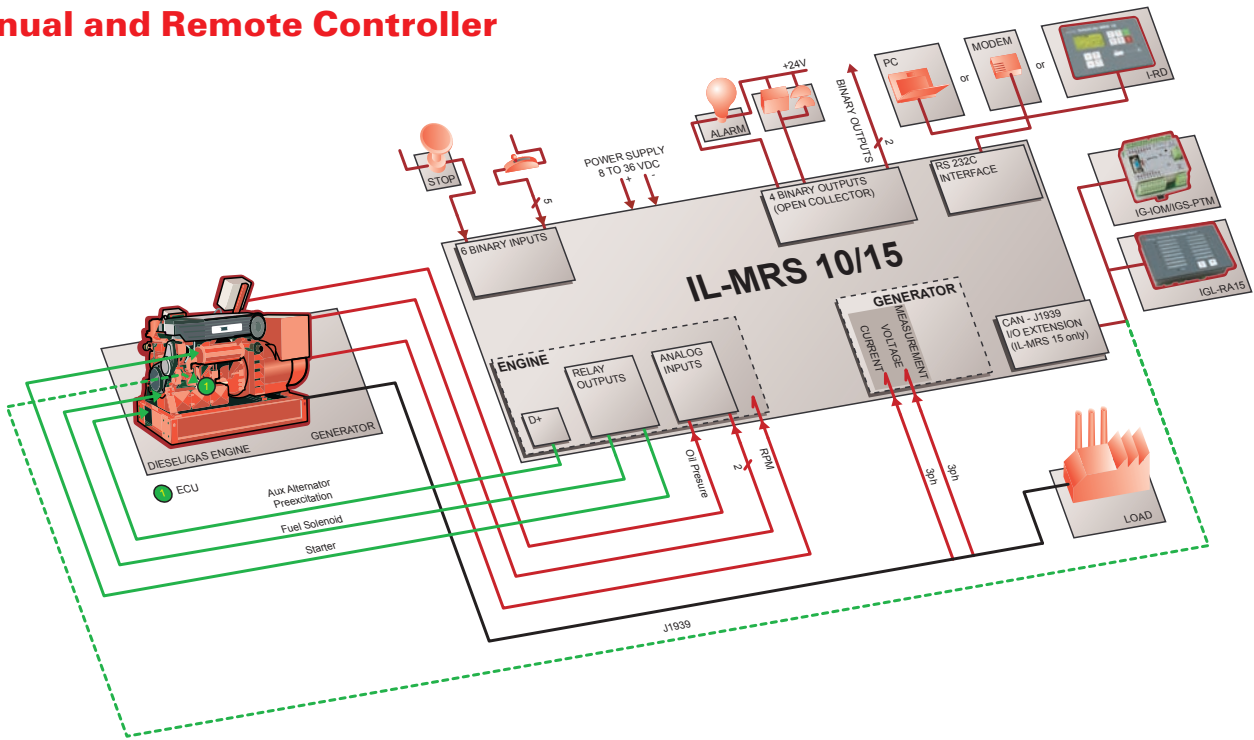


ComAp is a member of AMPS
(The Association of Manufacturers
of Power generating Systems).



ComAp products meet the highest standards, with every stage of production undertaken in accordance with the ISO certification obtained in 1998.

Manual and Remote Controller



The Chart of Functions of IntelliLite® Controllers

FUNCTIONS/CONTROLLERS	IL-MRS 10	IL-MRS 15	IL-MRS 11	IL-MRS 16	IL-AMF 20	IL-AMF 25
Binary inputs/outputs	6 / 6	6 / 6	6 / 6	6 / 6	7 / 7	7 / 7
Analog inputs	3	3	3	3	3	3
Pick-up	●	●	●	●	●	●
AMF function	-	-	-	-	●	●
Input configuration	●	●	●	●	●	●
Output configuration	●	●	●	●	●	●
Voltage measurement Gen. / Mains	3 ph / -	3 ph / -	3 ph / -	3 ph / -	3 ph / 3 ph	3 ph / 3 ph
Current measurement	3 ph	3 ph, IDMT overcurrent	3 ph	3 ph, IDMT overcurrent	3 ph	3 ph, IDMT overcurrent
kW/kWh measurement	● / -	● / ●	● / -	● / ●	● / -	● / ●
GCB/MCB control with feedback	- ²⁾ / -	- ²⁾ / -	● ¹⁾ / -	● ¹⁾ / -	● / ●	● / ●
Extension units (periph.)	-	IGL-RA15, IG-IOM, IGS-PTM	-	IGL-RA15, IG-IOM, IGS-PTM	-	IGL-RA15, IG-IOM, IGS-PTM
Communication interfaces	RS232 ³⁾	RS232, CAN ⁴⁾	RS232 ³⁾	RS232, CAN ⁴⁾	RS232 ⁴⁾	RS232, CAN ⁴⁾
Modem support	-	●	-	●	-	●
Battery charging alternator circuit	●	●	●	●	●	●

- Key: ● included / - excluded
- 1) Manual/Automatic GCB control, but without feedback
 - 2) Automatic GCB control without feedback
 - 3) AT-LINK CONV cable necessary
 - 4) CAN for extension modules

Legend: IG-IOM/IGS-PTM: I/O extension modules
 IGL-RA15: Remote annunciator
 I-RD: Remote display

MANUFACTURER:



ComAp, spol. s r. o.
 Czech Republic
 Phone: + 420 266 790 611
 Fax: + 420 266 316 647
 E-mail: info@comap.cz
 Internet: www.comap.cz

LOCAL DISTRIBUTOR / PARTNER:

